

MobileView® 9002 Series Exterior Analog/IP Camera Quick Guide

Product Overview

This is the Quick Guide for MobileView camera models:

- MVC-9002-28-WI
- MVC-9002-40-WI

Installation Environment

When installing your product, consider the following:

- **Electrical:** Install electrical wiring carefully. It should be done by qualified service personnel. Always use a proper PoE switch or a 12 VDC power supply to power the camera. Do not overload the power cord or adapter. PoE and 12VDC power sources should NOT be used together; choose only one.
- **Ventilation:** Ensure that the location planned for the installation of the camera is well ventilated.
- **Temperature:** Do not operate the camera beyond the specified temperature, humidity or power source ratings. The operating temperature of the camera is between -30 to +65°C.
- **Servicing:** Do not attempt to repair this camera yourself. Any attempt to dismantle this product, except as required for normal installation, will negate the warranty and may also result in injury. Refer all servicing to qualified service personnel.
- **Cleaning:** Do not touch the lens with your fingers. If cleaning is necessary, use a clean cloth with ethanol and gently wipe the camera.

Package Contents

Check the package and contents for visible damage. If any components are damaged or missing, do not attempt to use the unit; contact the supplier immediately. If the unit is returned, it must be shipped back in its original packaging.

Package contents:

- Camera
- Y Splitter cable (optionally used if 12VDC power is supplied via Cat5)
- Hex wrench
- Quick Guide
- Drill Template
- Molex connector/pins
- Guard

Cable Requirements

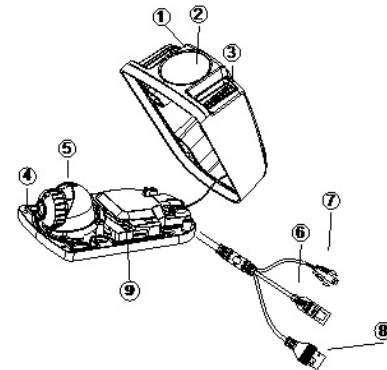
For proper operation, adhere to the following cable and power requirements for the cameras. All network cabling must be installed according to applicable codes and regulations.

The MV 9002 Exterior Camera figure lists the requirements for the cables that connect to the camera. The camera has two options to receive power; only one should be used at a time.

Table 1: Recommended power cable requirements

PoE(802.3af):	Cat5, 24 AWG Stranded or better
12VDC:	18 AWG, or larger

Camera Description



MV 9002 Exterior Camera

1. Cover
2. Bubble
3. IR
4. Base
5. Lens
6. BNC Cable
7. 12VDC Molex connector
8. Ethernet RJ45 cable
9. Reset Button

Setting up the Camera

To quickly put the camera into operation:

1. Prepare the mounting surface.
2. Mount the camera using the appropriate fasteners. Refer to the *Mounting the Camera* section.

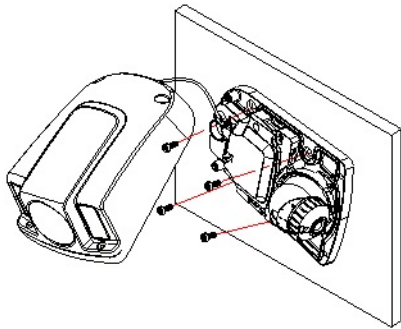
3. Set up the camera's network and streaming parameters to control the camera over the network. Refer to the *Accessing the Camera over the Internet* section.
4. Program the camera to suit its location.

Note: Refer to the *MobileView 9002 and 9102 Series Analog/IP Camera User Manual* for more information.

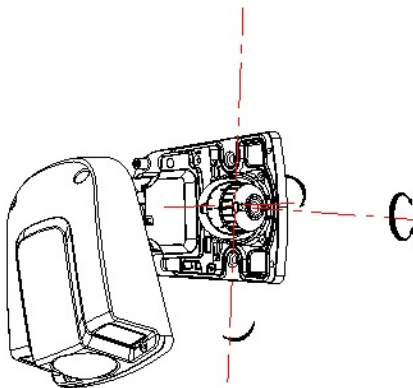
Mounting the Camera

To Mount the exterior camera:

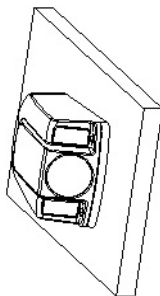
1. Use the supplied template to mark out the mounting area. Drill the screw holes on the surface. Rivnuts with #8-32 machine screws (or larger) are recommended.
2. Loosen the cover screws, so cover can be removed. Secure the mounting base to the surface with appropriate screws.



3. Loosen the adjusting screw to adjust the pan, tilt and rotation angle, then re-tighten the adjusting screw.



4. Reinstall the cover screws.



Accessing the Camera over the Internet

Use the camera web browser to access and configure the camera over the Internet (Microsoft Internet Explorer). Only one camera is accessible from a single web browser window.

To access the camera online:

1. In the Web browser, enter the camera's IP address. The default is **192.168.1.70**. The Login dialog box appears.

Note: Ensure that the Active X controls are enabled.

2. Enter your user name and password.
User name: **admin**
Password: **1234**
3. Click **Login**. The web browser window appears in live view mode.

Overview of the Camera Web Browser

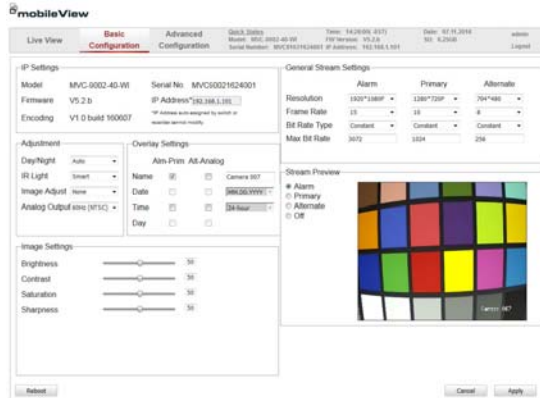


UI 9002 Live Screen -Manual

Name	Description
Live View	Click to view live video.
Basic Configuration	Click to display the basic configuration screen for setting up the camera.
Advanced Configuration	Click to display the advanced configuration screens for setting up the camera.
Current user	Displays current user logged on.
Logout	Click to log out from the system. This can be done at any time.
Start/stop live view	Click to start/stop live view.
Capture	Click to take a snapshot of the video. The snapshot will be saved to the default folder in JPEG or BMP format.
Start/stop recording	Click to record live video.
Digital Zoom	Click to enable digital zoom.

Network and Streaming Configuration

In the camera Web browser screen click the **Basic Configuration** button on the toolbar to display the Basic Configuration screen.



Basic Configuration Screen

Refer to the **MobileView 9002 and 9102 Series Analog/IP Camera User Manual** for detailed information on advanced configuration of the cameras.

Table 2: Basic Configuration Parameters

Configuration	Description
Quick Stats	Displays the time, date, camera model number, serial number, firmware version, IP address, and space remaining on the SD card (if installed).
IP Settings	Displays the camera model number, serial number, firmware version, IP address, and encoding version.
Adjustment	Defines day/night, IR light, image rotation/mirroring, and analog output parameters.
Image Settings	Defines the brightness, contrast, saturation, and sharpness image parameters.
General Stream Settings	Defines recording parameters for each of the three streams.
Stream Preview	Allows live preview of each of the three streams.

FCC Compliance

Complies with FCC Part 15; Class A.

Contact Information

<http://www.interlogix.com/mobileview>
 Email: MobileViewTS@fs.utc.com
 Phone: 1-855-MOB-VIEW (662-8439)

© 2016 United Technologies Corporation. All rights reserved. All trademarks are the property of their respective owners. Interlogix is part of UTC Climate, Controls & Security, a unit of United Technologies Corporation.

