

Adjusting Image Orientation

Rotate image 180 if needed.

1. Open **Basic Configuration**.
2. Under **Adjustment**, select 180 degrees from the **Image Adjustment** drop-down, and click **Apply**.
3. Select **Video Stream Preview** and click **Alarm**.
4. Review the image in the Video Stream Preview window. If the image is incorrect, select a different Image Adjustment option and click Apply again.

The screenshot shows the configuration page for an MVC-9830 camera. The top navigation bar includes 'Live View', 'Basic Configuration', and 'Advanced Configuration'. The 'Basic Configuration' tab is active. The page is divided into several sections:

- IP Settings:** Model MVC-9830-80-WI-S, Serial No. MVC98301716002, Firmware V5.3.g, IP Address* 192.168.1.104, Encoding V7.3 build 171206.
- Adjustment:** Day/Night (Day), IR Light (smart), Image Adjustment (None), Power Light (checked), Bootup OSD (unchecked).
- Image Settings:** Sliders for Wide Dynamic Level, Brightness, Contrast, Saturation, Hue, and Sharpness, all set to 50.
- Stream Settings:** Alarm (checked), Primary (unchecked), Alternate (checked). Max. Bitrate (1024), Resolution (1280*720P), Frame Rate (10).
- Audio Settings:** Noise Filter (Low), Audio Encoding (G.711ulaw), Input Volume (90).
- Video Stream Preview:** Radio buttons for Alarm, Primary, Alternate, and OFF (selected).

Service

If your 9800 Series Camera is to be returned for service, please call toll free **1.877.630.7366**, or **1.844.899.7366**, and provide the model and/or serial# of your unit. Ask for a Return Merchandise Authorization (**RMA**) number. An RMA# allows the Service Technicians to better track your product when it comes in for service. Please show the RMA# on the outside of the package. **ANY PRODUCT SENT WITHOUT AN RMA# MAY BE REFUSED.**

Technical Support

- Email: service@seon.com
- Phone: 1.877.630.7366

Documentation

Additional copies of this guide, along with other supporting documentation can be found on the SafeFleet Community:

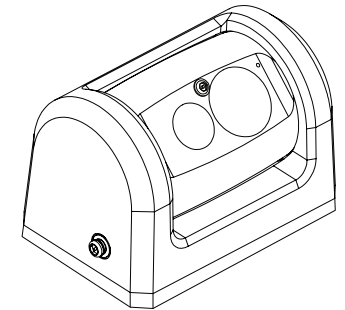
- <https://community.seon.com/documents/>

MVC-9830 Camera Install Guide

Product Overview

This install guide follows the following camera models:

- MVC-9830-28-WI, MVC-9830-40-WI
- MVC-9830-28-WI-S, MVC-9830-40-WI-S, MVC-9830-80-WI-S
- MVC-9830-28-WI-FF, MVC-9830-80-WI-FF



Note:

- **S** = Side facing, **FF** = Forward facing

Package Contents

Inspect the package contents for visibly damaged or missing parts. If found, retain original packaging, contact your supplier, and do not use the camera. Your package includes:

- Camera, drill template
- Quick Reference Guide
- Torx wrench
- Rubber plug
- Twist lock weather pack connector
- Hex wrench with FF models
- Wedges
- Screws
- Pads with -S models

Cable Requirements

- PoE (802.3af): Cat5, 24 AWG stranded or better
- Standard RJ45 Jack with Twist-Lock

Installation Environment

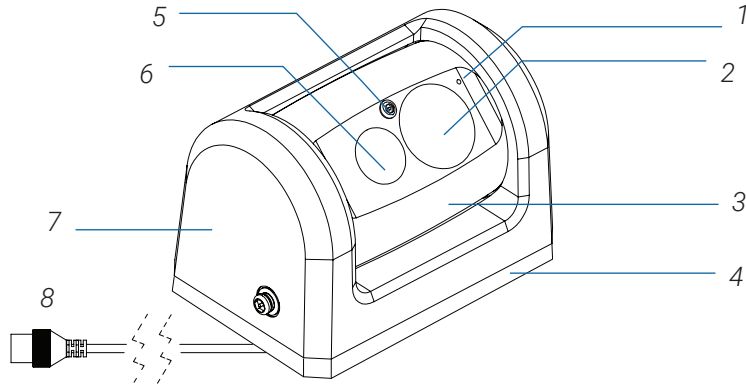
Observe the following when installing an MVC-9830 camera:

- **Electrical:** Only qualified service members should install wiring to prevent overload of the power cord. Always use a genuine MobileView PoE product, such as MVNS-3200 PoE Switch to power the camera.
- **Ventilation:** Install camera in a well ventilated position.
- **Temperature:** Do not operate the camera beyond the specified temperature, humidity or power source ratings.
- **Service:** Only qualified service personnel should repair and service the camera, otherwise the warranty will become invalid. Do not dismantle the camera, except as required for normal installation to avoid personal injury.
- **Clean:** If cleaning is necessary, use a clean cloth with ethanol to gently wipe the camera.

Supported Plugins

- Web Components
- QuickTime v7.7.4

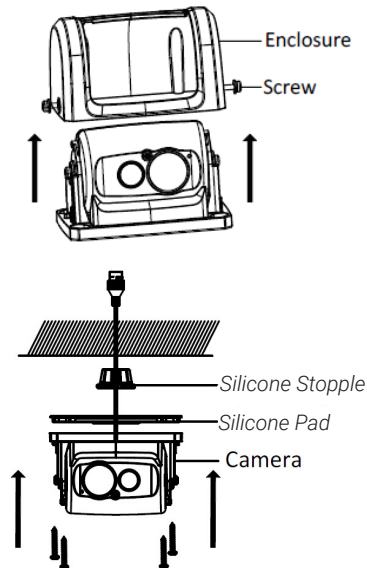
Camera Description



- | | |
|---|---------------------|
| 1. LED Indicator.
- Solid Red: Device is powered on
- Solid Green: Device communicating | 5. Mic |
| 2. Lens | 6. IR LED |
| 3. Front Cover | 7. Camera Enclosure |
| 4. Mounting Base | 8. Network Cable |

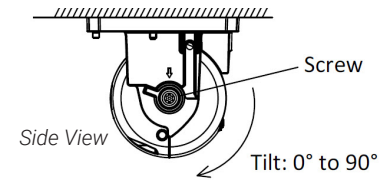
Mounting the Camera

1. Prepare the mounting surface
2. Loosen the two screws on the camera cover and remove the camera cover.
3. Using the supplied template, mark the mounting area and drill holes in the surface.
4. Direct the cable through the silicone pad, silicone stopper, and the wall.
5. Align the silicone stopper to hole A of the drill template. Mount the camera on the surface using the proper mounting screws. Rivnuts with #8 machine screws with lock washer are recommended when mounting camera on exterior of vehicle.

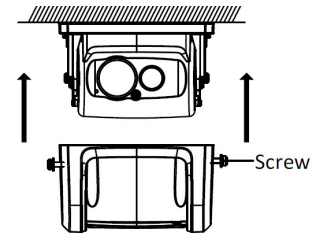


Fold Here

6. Loosen the adjustment screw and adjust the camera to the desired surveillance angle. Tighten the screw to secure the desired position.



7. Place the camera cover over the camera and fasten using the cover screws.
8. When camera is installed on the exterior of vehicle, always use the Twist Lock Weather Pack connector housing on the RJ45 cable that mates to the camera to protect the cable connection from corrosion.



Access Camera Online

You can access and configure the camera settings using the Camera Web Browser via Internet Explorer. Only one camera can be accessed at a time, and Active X controls must be enabled.

1. Enter the camera IP address and press **Enter**.
2. Enter the user name and password. Default login is:
 - user name: **admin**
 - password: **1234**
3. Click **Login**. The Basic Configuration window displays.
4. Change the IP address to the required value and click **Apply** to save settings.

Web browser functions

- **Live View:** View live video (IE v11, Safari v5.1.7). Change aspect ratio, stream to view and plugin to play the video.
- **Basic Configuration:** Adjust IP settings, stream parameters, image, overlay, day/night IR settings and preview video.
- **Advanced Configuration:** Firmware upgrade, restore defaults, manage users, setup time, tamper event.
- **Quick Status:** View camera model, serial number, firmware version and IP address.
- **Logout:** Click to log out of the system
- **Apply:** Click to save changes.