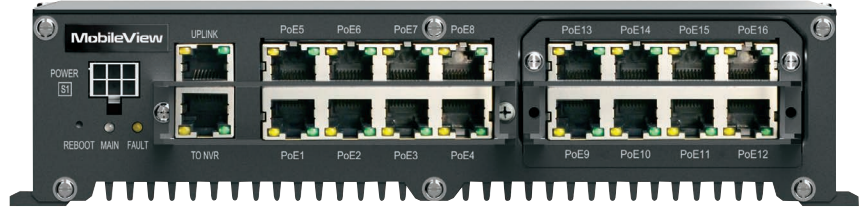


MVNS-3200

8- or 16-Port Unmanaged Network Switch



OVERVIEW

The MobileView® MVNS-3200 is an 8- or 16-port unmanaged switch. The switch provides plug-and-play installation and is ideal for use in mobile environments. Network performance is optimized to support simultaneous transmission of video from up to 16 IP camera sources, each at 1080p resolution and 30 frames per second without frame loss. Dual Gigabit uplink ports ensure plenty of bandwidth is available for the most data intensive applications.

The MVNS-3200 features a solid aluminum chassis with built-in surface-mount flange for added strength during installation, locking connectors for power and interconnect harnessing, integrated cable management bars, and a fanless solid-state design. The switch accepts a wide operating voltage range (9-32VDC depending on model) and provides LED indicators to communicate device status and health diagnostics at a glance. Additionally, a fault relay and power control input allows for remote fault monitoring and On/Off control of the device.

STANDARD FEATURES

- 8- or 16-port models available
- 8-port model user expandable to 16-port
- Fault relay output for remote monitoring
- Wide operating voltage range (9-32VDC depending on model)
- Remote ON/OFF control input
- Dual GB uplink ports
- Front LED status indicators

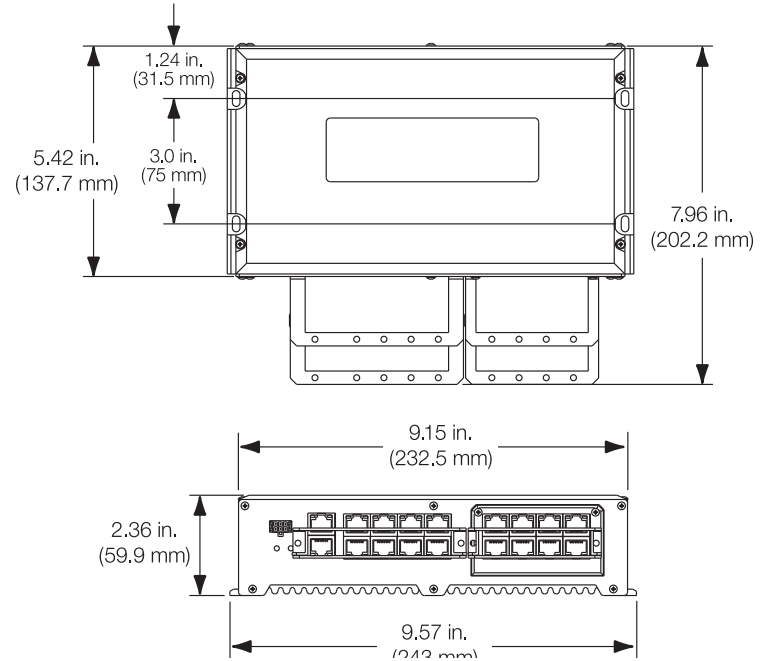
MVNS-3200

8- or 16-Port Unmanaged Network Switch

Specifications

Ethernet Standards	IEEE802.3i (10BASE-T) IEEE802.3u (100BASE-TX) IEEE802.3ab (1000BASE-T)
Power over Ethernet	IEEE802.3af Class 2 48VDC @ 6W per Port for IP Cameras
Ports	2 x Gigabit Ethernet Ports 8 or 16 10/100Mb/s PoE Ports
Transmission Speed(s)	1000Mb/s, 100Mb/s, 10Mb/s
Switch Technology	Store and Forward
Protocol	CSMA/CD
MAC Address Table Size	8KB
RAM Buffer	1MB
Switch Capacity	Basic: 16 Port @ 100Mb/s + 2 Port @ 1Gb/s Advanced: 16 IP Cameras @ 1920 x 1080, 30fps, 4096kb/s bitrate
Electrical	
Input Voltage	9 to 32 VDC (8 Port Model) 16 to 32 VDC (16 Port Model)
Minimum Startup	10.8 VDC
Input Current	7.5 Amp Max
Outputs	Fault Relay (Form C: NC/C/NO)
Power Control Input	0-1VDC = OFF / 5-32VDC = ON

Dimensional Diagrams



Ordering Information

MVNS-3200-8PF	MVNS-3200, Dual GB Uplink, 8-Port PoE, Fast Ethernet, Power Harness and Cable Management Kit
MVNS-3200-8PF-8EPF	MVNS-3200, Dual GB Uplink, 8+8 (16) Port PoE, Fast Ethernet, Power Harness and Cable Management Kit
MVNS-3200-E-8PF	MVNS-3200, Expander Module, 8-Port PoE, Fast Ethernet, Cable Management Bar
MVNS-3200-S1-00	MVNS-3200, Power Harness, 15 inch
MVNS-3200-CM-K2	MVNS-3200, 16-Port Cable Management Kit